

Kits
KA719 - PP209
KA720 - PP210

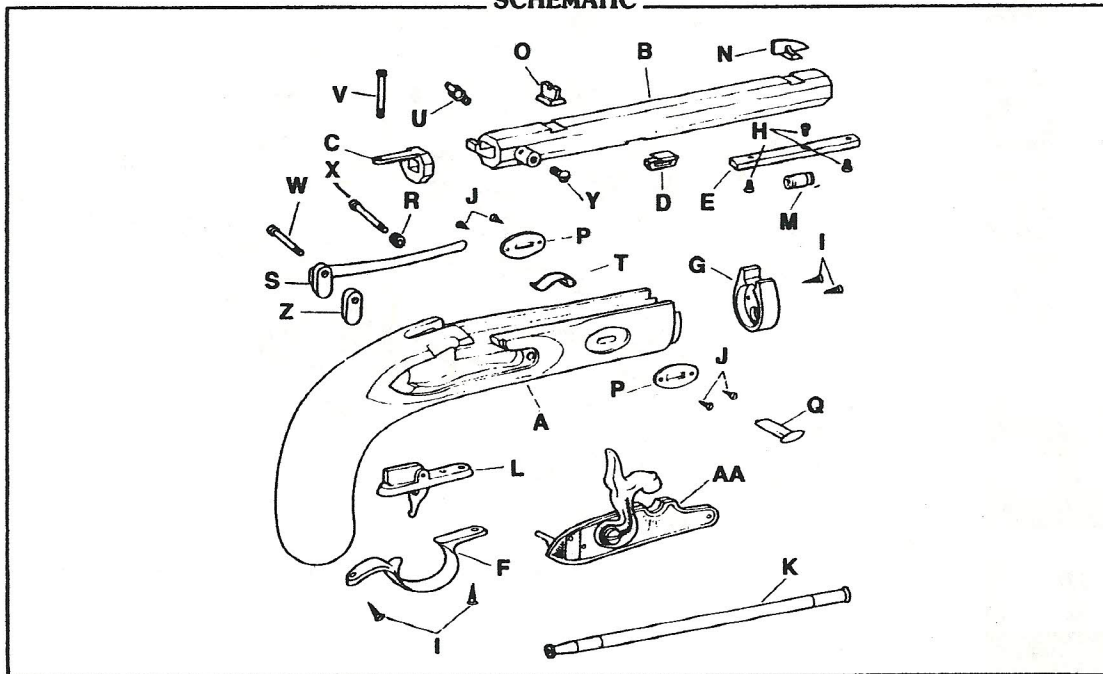
Finished
 .45 caliber percussion
 .50 caliber percussion

Discontinued (1977 - 1984)

Discontinued (1977 - 1985)

MOUNTAIN PISTOL & KIT

SCHMATIC



PARTS

Letter	Description	Number
A	Stock	18100
B	Barrel Assembly .45 caliber percussion .50 caliber percussion	18200 18210 18220
C	Tang	16220
D	Barrel Tenon	16240
E	Barrel Rib	18220
F	Trigger Guard	18300
G	Nose Cap	18310
H	Rib & Thimble Screw (3)	16410
I	Nose Cap & Trigger Guard Screw (4)	10430
J	Wedge Plate Screw (4)	16430
K	Ramrod Assembly	18500
L	Trigger Assembly	11520
M	Thimble	18510
N	Front Sight Assembly	16530
O	Rear Sight	10500
P	Wedge Plate (2)	16560
Q	Wedge	16570
R	Lock Washer	16580
S	Belt Hook Side Plate	18320
T	Ramrod Retaining Spring	16591
U	Nozzle	10401
V	Tang Screw	10410
W	Belt Hook Side Plate Screw	10420
X	Lock Washer Screw	10421
Y	Bolster Screw - percussion only	12540
Z	Side Plate	18330
AA	Lock - percussion	LK1321A

*Barrel Assembly includes: Breech plug and percussion bolster...NOT sold separately.