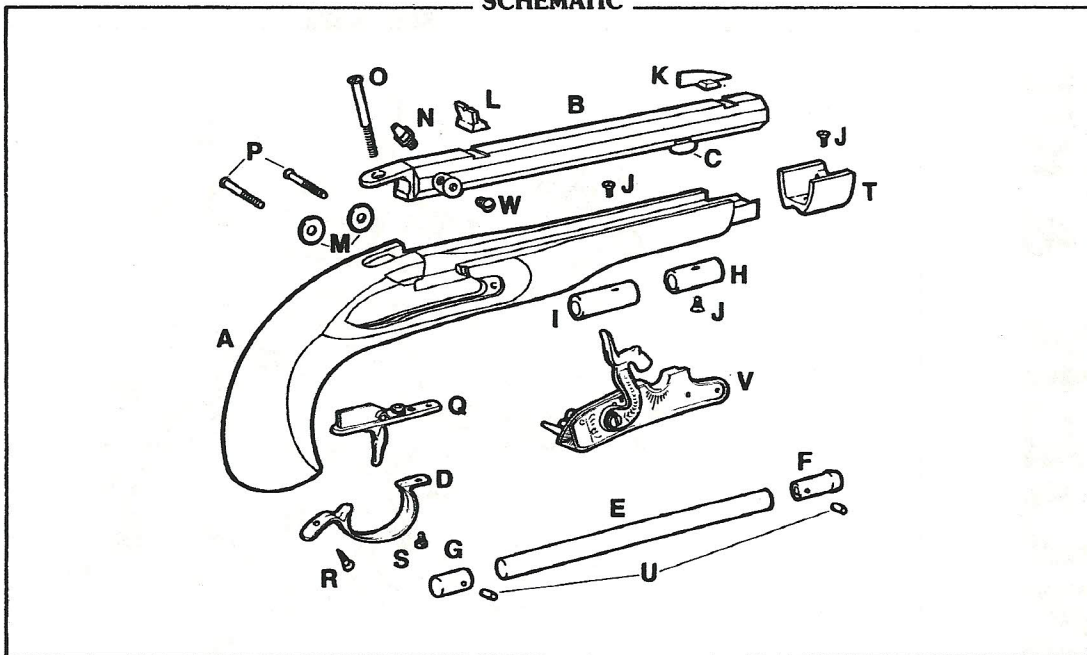


KENTUCKY PISTOL & KIT

SCHEMATIC



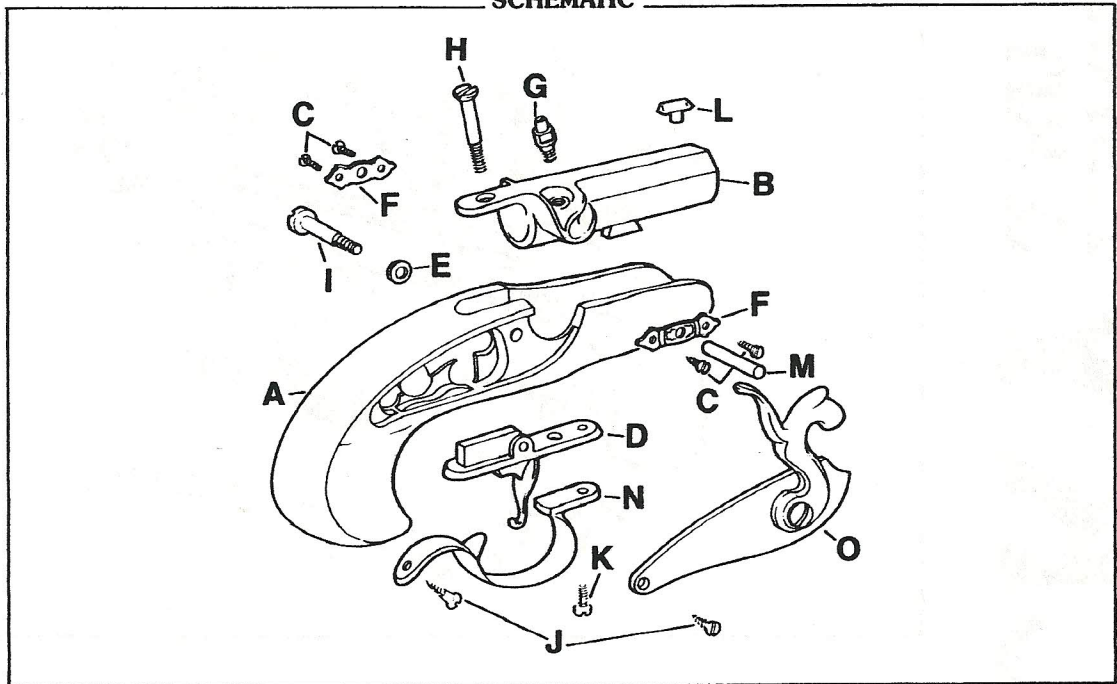
PARTS

Letter	Description	Number
A	Stock	11102
B	Barrel Assembly*	
	.50 caliber percussion	11250
C	Barrel tenon	12241
D	Trigger guard	11310
E	Ramrod	11550
F	Ramrod front tip	11570
G	Ramrod rear tip	11560
H	Front thimble	11590
I	Rear thimble	11580
J	Nose cap, thimble and tenon screw (3)	12546
K	Front sight assembly	11510
L	Rear sight	10500
M	Lock washer (2)	10317
N	Nipple	10401
O	Tang screw	10410
P	Lock washer screw (2)	10420
Q	Trigger assembly	11521
R	Rear trigger guard screw	10430
S	Front trigger guard screw	10440
T	Nose cap	11330
U	Ramrod pin (2)	10550
V	Lock percussion	1K1313A
W	Bolster screw	12540

*Barrel Assembly includes: breech plug and percussion or flintlock bolster...NOT sold separately.

PHILADELPHIA DERRINGER PISTOL & KIT

SCHEMATIC



PARTS

Letter	Description	Number
A	Stock	13100
B	Barrel Assembly* - with tenon	13200
C	Tenon Pin Plate Screw (4)	13400
D	Trigger Assembly	13500
E	Lock Washer	13510
F	Tenon Pin Plate (2)	13520
G	Nipple	10401
H	Tang Screw	13205
I	Lock Washer Screw	13511
J	Lock Plate & Rear Trigger Guard	
K	Screw (2)	10430
L	Front Trigger Guard Screw	10440
M	Front Sight	10510
N	Tenon Pin	10520
O	Trigger Guard	11310
	Lock - percussion	LK1319

*Barrel Assembly includes: breech plug and bolster...NOT sold separately